



i3CONNECT Walnut W1

LED THERE BE INTERACTION

Capturing the attention of a large audience has never been easier. The i3CONNECT Walnut W1 display can be turned into a fully interactive experience using a companion display, bringing the engagement of touch to even the largest of meeting rooms.

LED WALL TURNED INTERACTIVE

The wow factor that a large LED wall brings to an audience is widely known. We have taken it a step further, by adding the option of interactivity to the mix. Simply using an i3SIXTY as a companion display for the Walnut W1 allows the user to draw, annotate, browse or perform any other interactive activity which is directly shown on the large LED display.



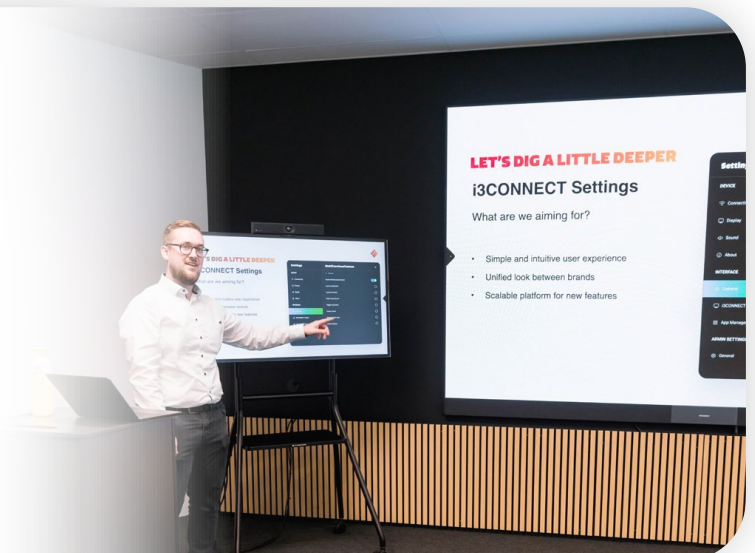
FULLY COMPATIBLE WITH i3CONNECT STUDIO

The IT admin is able to set up the user experience as the Walnut W1 comes pre-installed with the intuitive i3CONNECT Studio software. This custom-built software solution gives the IT department access to a wealth of options such as changing backgrounds, change all settings and comes with its own installation wizard.



WIRED OR WIRELESS? YOU CHOOSE!

The Walnut W1 is compatible with our i3ALLSYNC solution, allowing for an easy wireless connection between the videowall and the i3SIXTY companion display. This way, up to 6 devices can be shared simultaneously. Do you prefer a wired connection instead? That's perfectly possible as well!





AUDIO THAT MATCHES THE VISUALS

Unlike most screens, Walnut W1 boasts impressive audio that can clearly be heard anywhere in the room without the need for additional equipment. This is due to the placement of speakers on top of the screen, which will not be blocked by the crowd and deliver a crisp audio experience.



CORTEX



UPDATE TO
LATEST FIRMWARE



POWER
SCHEDULES



REMOTELY DELIVER
DEVICE SUPPORT



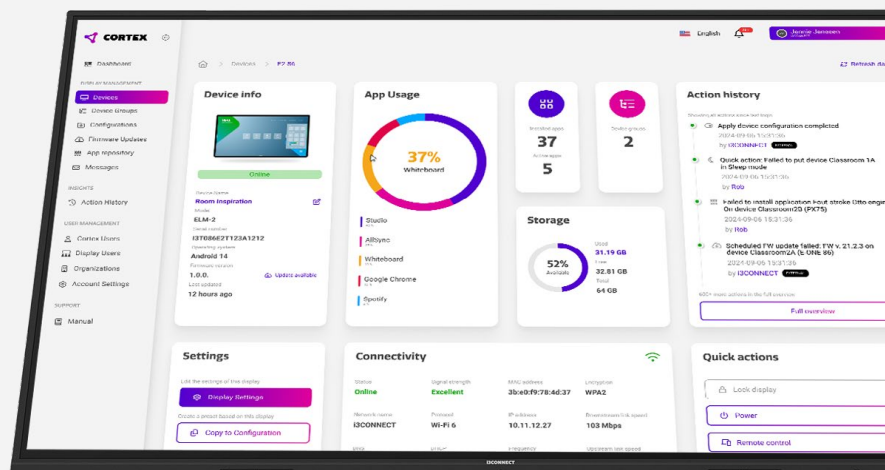
MONITOR
DEVICE USAGE



MANAGE I3CONNECT
STUDIO INTERFACE

REMOTE MANAGEMENT THROUGH CORTEX

With Cortex remote display management, gain the power to manage, monitor and control your i3CONNECT displays from any location at any given time.





WALNUT W1

Product brochure

16:42
Friday, September 30

Good Room-Anton Tell my Wi-Fi love her

SURPRISINGLY LOW POWER CONSUMPTION

With the Walnut W1, you don't need to worry about an ultra-high energy bill. Compared to most LED wall solutions available, the energy consumption is among the lowest in the market.



CHOOSE PEACE OF MIND

Installing a LED videowall takes time and space, so once its placed, you want it to stay there as long as possible and not run into quality issues along the way. Walnut W1 comes with an extra robust design, which prevents damage during installation. Malfunctioning LEDs are not on the horizon when choosing this display.



WE'RE ON A ROLL!

Add flexibility to your workplace, by adding the optional rolling mount to the Walnut W1 and move the 138" or 165" display around with ease; just make sure it fits through the door.

DISPLAY PROPERTIES	138"	165"
Model	W1 - 138	W1 - 165
Series	I3CONNECT WALNUT W1 – ALL-IN-ONE LED Displays	
Product ID	10010825	10010826

DISPLAY SPECIFICATIONS		
Display Technology	HOB - LED	
Display size	138"	165"
Pixel pitch	1.5mm	1.9mm
Display aspect ratio	16:9	
Native resolution	1920×1080 Pixels - FHD	
Brightness	600 cd/m ²	
Contrast ratio	6500:1	
Viewing angle	Horizontal 160°, Vertical 140°	
Color Temperature	2300~9300K (Adjustable)	
LED Refresh Rate	3840Hz	
Gray Scale	13~16bit	
Supported orientation	Landscape	
Life time	≥100.000 hours	
Speakers	4x 15 W (full range) & 2x 30 W (low frequency)	

CONNECTIVITY	
Video & audio input	1x HDMI 2.0 (internal) & 3x HDMI 1.4 (1 internal, 2 external) 1x audio in 3.5mm audio jack
Video & audio output	1x HDMI 2.0 (external) 2x 3.5 mm audio jack (1 internal, 1 external)
Sensors	Ambient Light Sensor
USB ports	2x USB 3.0 Type A 1x USB out Type B 1x Type-C 1x USB 2.0 Type A (internal)
Network connectivity	2x LAN: RJ-45 connector (internal) 1x RS232 WiFi 6 dual-band 2.4G/5G

OPERATIONAL SPECIFICATIONS	
Operating system	Android 13
Memory	8 GB RAM – 64 GB ROM
CPU	Octa-core

SOFTWARE FEATURES	
User interface	i3CONNECT STUDIO launcher
Screen casting software	i3ALLSYNC wireless presenting
Device Management	i3RDM (OPTIONAL)

ACCESSORIES	
Included	Quick start guide
	Remote control
	Power cable EU
	Wall mounting bar
Optional	i3SIXTY interactive companion display
	i3ALLSYNC wireless transmitter

PHYSICAL PROPERTIES	138"		165"	
	Net weight	119 kg		168 kg
Packaged weight	192 kg		260 kg	
Dimensions Overall	3080 × 1840 mm		3690 × 2183 mm	
Dimension Display Area	3050 × 1715 mm		3660 × 2058 mm	
Display Thickness	28 mm		28 mm	
Packaging dimensions	QUANTITY	PACKAGING SIZE	QUANTITY	PACKAGING SIZE
	3	1850 × 705 × 240mm	6	1160 × 705 × 240mm
	6	670 × 530 × 165mm	8	670 × 530 × 165mm
	1	2020 × 337 × 184mm	1	2020 × 337 × 184mm
	1	1860 × 175 × 140mm	1	1860 × 175 × 140mm

SHIPMENT DETAILS							
138"				165"			
Product	Wooden Case	Size	Weight	Product	Wooden Case	Size	Weight
i3CONNECT Walnut W1 138" FHD	1/2	1900 x 760 x 1215 mm	210 kg	i3CONNECT Walnut W1 165" FHD	1/2	1500 x 1250 x 1230 mm	295 kg
i3CONNECT Walnut W1 138" FHD	2/2	2064 x 556 x 497 mm	68 kg	i3CONNECT Walnut W1 165" FHD	2/2	2064 x 556 x 497 mm	72kg
LT05 vacuum suction tool (paper carton)	1	220 x 210 x 210 mm	3 kg	LT05 vacuum suction tool (paper carton)	1	220 x 210 x 210 mm	3 kg

ELECTRICAL REQUIREMENTS	
Circuit	Separate circuit with separate circuit braker. No other devices, nor sockets, in the same circuit.
Circuit braker	Minimum 20A
Residual Current	Minimum 30mA

ELECTRICAL PROPERTIES

Input power	100 ~ 240 Volt – 50/60 Hz	
Energy saving features	Auto-brightness adjustment using Ambient Light Sensor	
Standby power	≤0.5W	≤0.5W
Power consumption (average)	0.521KW	0.731KW
Power consumption (max)	1.738KW	2.438KW

REGULATORY INFORMATION

Type approval	CE
----------------------	----

ENVIRONMENTAL CONDITIONS

Operating temperature	-10° C ~ 40° C
Operating humidity	10% - 80% RH non-condensing
Usage	Indoor only. In order to ensure long-term and more uniform display effect, do not play fixed images for a long time.

WARRANTY

Standard warranty	3 years from shipment
Additional warranty*	1 year additional warranty available for purchase <small>*These need to be purchased within 6 months of the purchase of the screen</small>

OTHERS

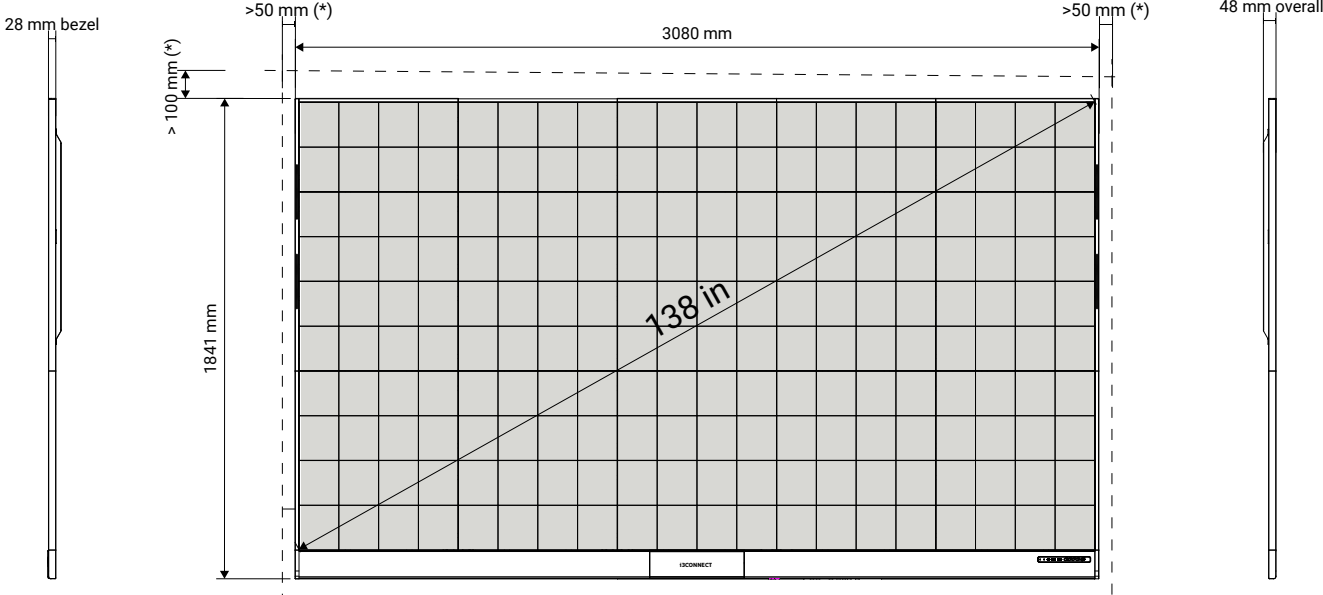
	138"	165"
Recommended Viewing Distance	≥3.2m	≥3.9m

NOTICE

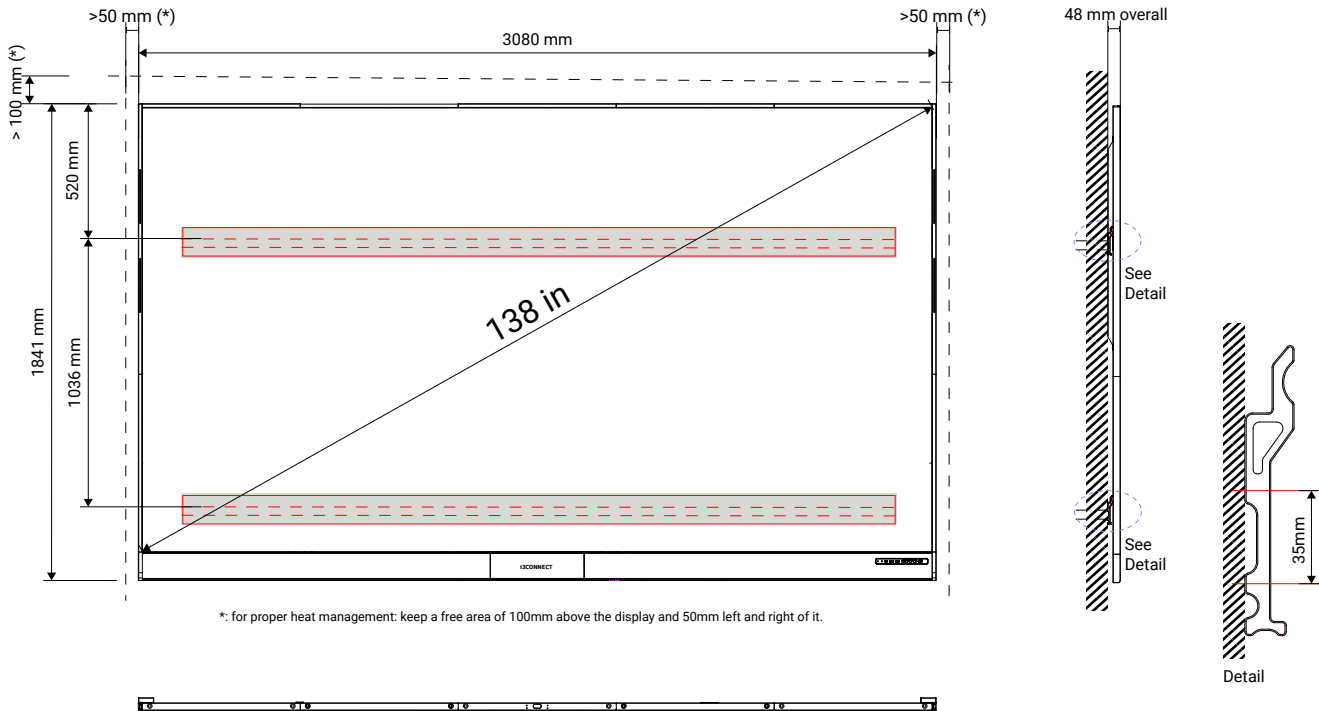
The product pictures of this specification are only indicative, actual product may have slight difference in product effects (included but not limited to appearance, color and size). Due to the influence of product configuration and manufacturing process, the actual size/weight of the product may differ.

Efforts have been made to check that information provided here to be correct and complete at the time of publication. Subject to change without prior notice.

TECHNICAL DRAWINGS 138"



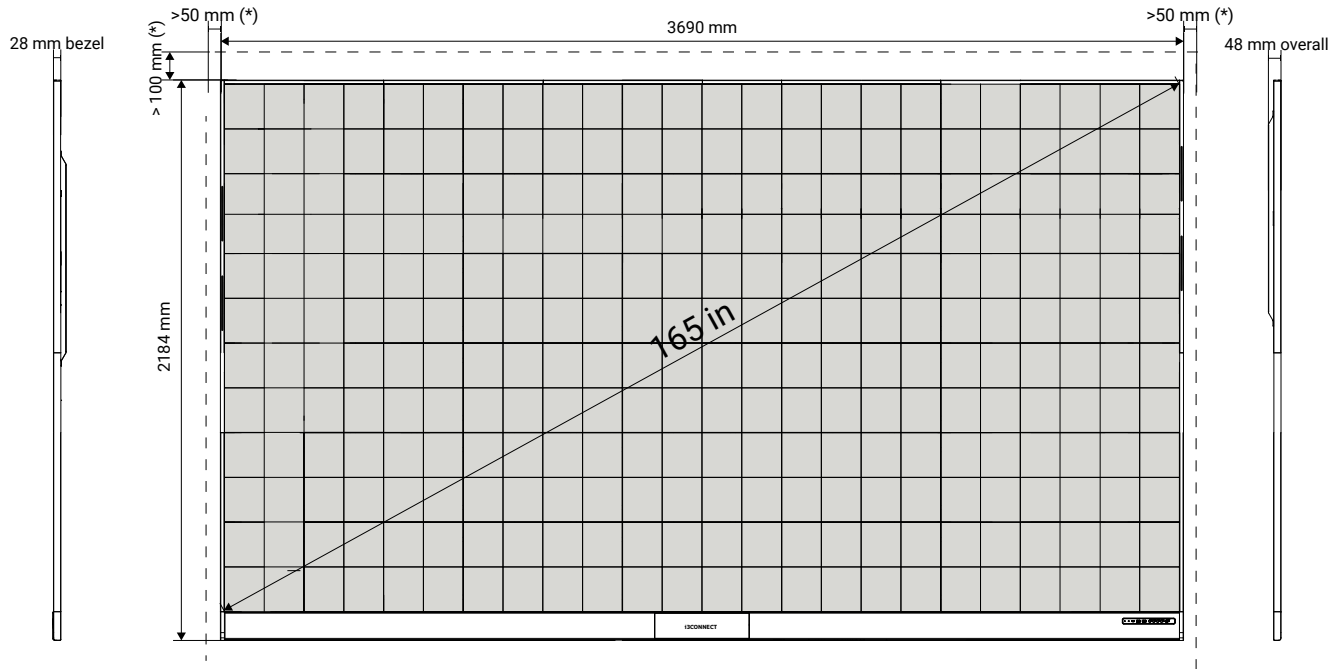
*: for proper heat management: keep a free area of 100mm above the display and 50mm left and right of it.



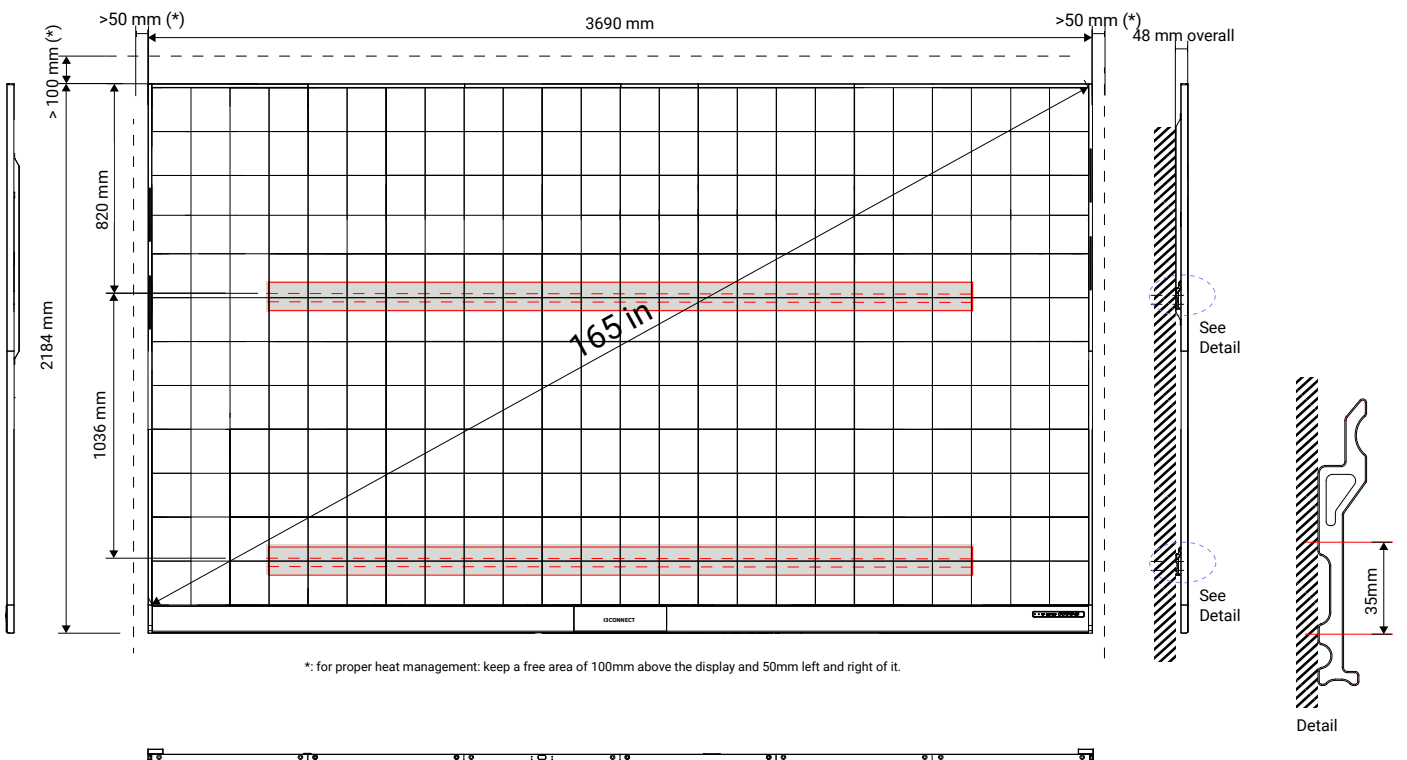
*: for proper heat management: keep a free area of 100mm above the display and 50mm left and right of it.



TECHNICAL DRAWINGS 165"



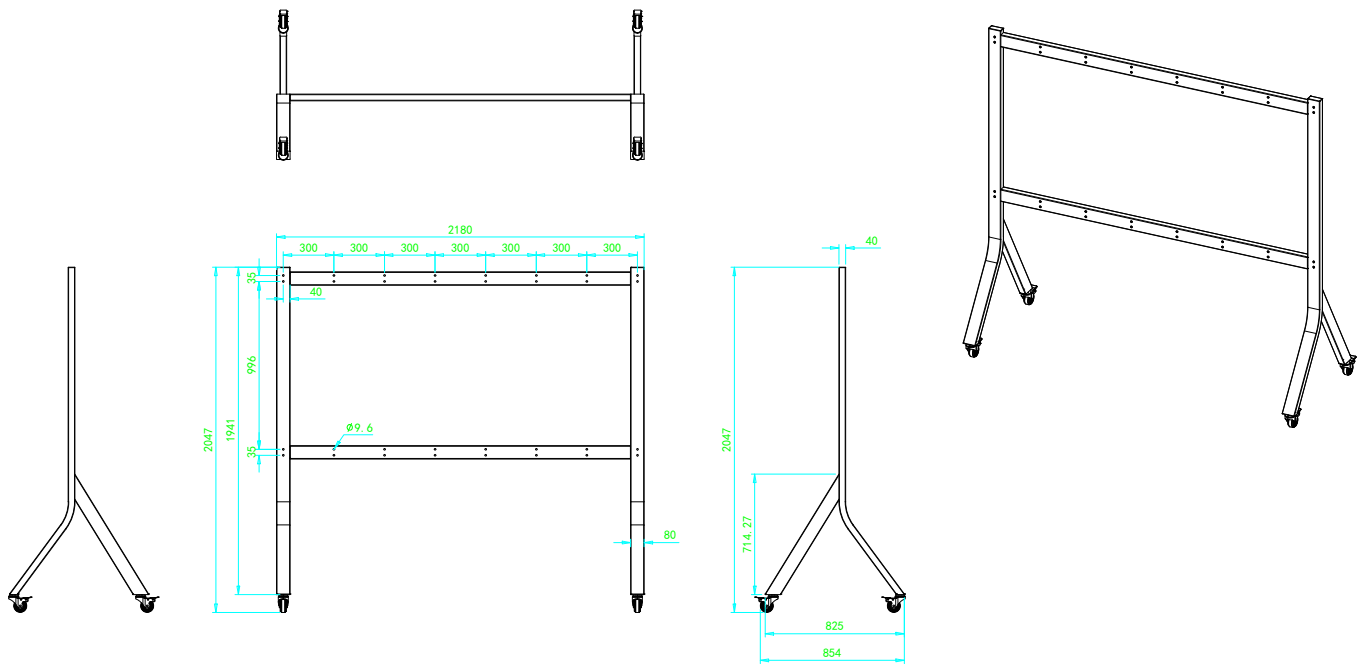
*: for proper heat management: keep a free area of 100mm above the display and 50mm left and right of it.



*: for proper heat management: keep a free area of 100mm above the display and 50mm left and right of it.

MOBILE STAND FOR WALNUT W1

Product name	Mobile stand for Walnut W1 138" & 165"
SKU	10010684
Net weight	56kg
Packaged weight	131kg
Packaging dimensions	2150 x 1100 x 465mm
Colour	Black
Warranty	5 years



MODEL NO.	ST90 TRIPOD DRAWING	UNIT	mm
PART NO.		SCALE	1:1
PART NAME		REV.	
MATERIAL		SHEET	
SURFACE		CHK'D	
COLOR NO.		FIRST ANGLE PROJECTION	
DRAWN			



LET'S GET THINGS DONE WITH THE i3CONNECT WALNUT W1!

LET'S CONNECT

i3CONNECT HQ
Kleine Schaluinweg 7
3290 Diest, BELGIUM.
info@i3-connect.com
www.i3-connect.com

CONTACT US

Ready for the next step? Go ahead: click that big button, fill in the form and we'll get in touch with you for a demo.